

Curb Overlay Installation Instructions

1.0 Product & Materials

- 1.1 Noble Curb Overlays: are made from high density, expanded polystyrene (EPS) and coated with an acrylic polymer finish. Noble Curb Overlays are waterproof and ready-to-tile. They are lightweight, durable and are not a food source for fungus and mold.
- 1.2 Other Tools & Materials Needed: Utility knife, caulk gun, 100% silicone sealant, and large headed fasteners.

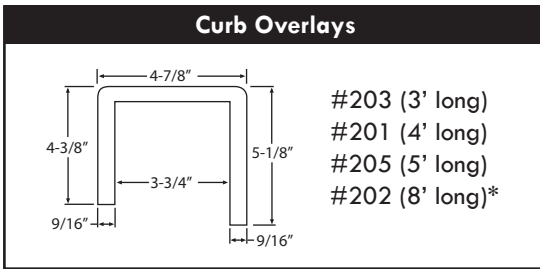
2.0 Preparatory Work

- 2.1 Substrate should be level and flat prior to commencing work. Read all instructions.

3.0 Installing Noble Curb Overlay

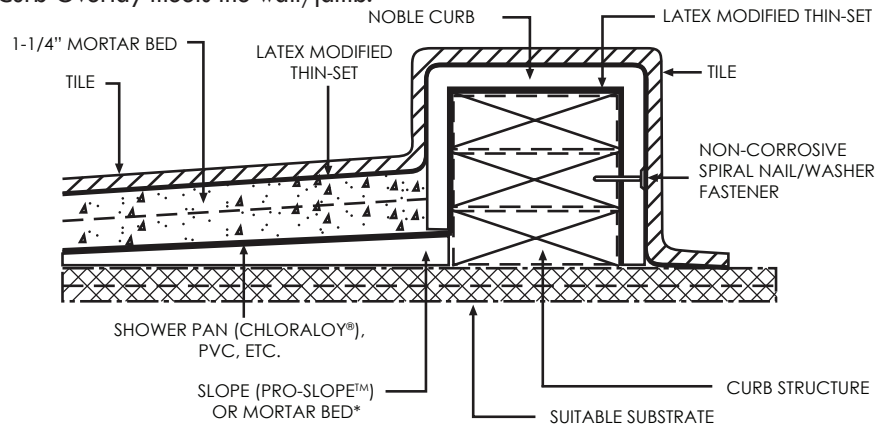
NOTE: Noble Curb Overlay should be installed prior to installation of full mortar bed and after waterproof membrane.

- 3.1 Cut Curb Overlay to length.
- 3.2 Coat inside of Curb Overlay with thin-set mortar and place over shower pan liner.
- 3.3 Noble Curb Overlay should rest firmly on curb structure. Thin-set coating should provide leveling and support for the Noble Curb Overlay.
- 3.4 After Noble Curb Overlay is leveled, secure with large headed fastener on outside apron.
- 3.5 Caulk with 100% silicone sealant where the Curb Overlay meets the wall/jamb.



NOTE: Actual dimensions may vary +/- 1/8".

* Available by special order only.



Solid Curb Installation Instructions

1.0 Product & Materials

- 1.1 Noble Solid Curbs are made from high density, expanded polystyrene (EPS) and coated with an acrylic polymer finish. They are lightweight, durable and are not a food source for fungus and mold.
- 1.2 Other Tools & Materials Needed: Fine tooth saw, latex modified thin-set mortar and 100% silicone sealant.

2.0 Preparatory Work

- 2.1 Substrate should be level and flat prior to commencing work. Read all instructions.

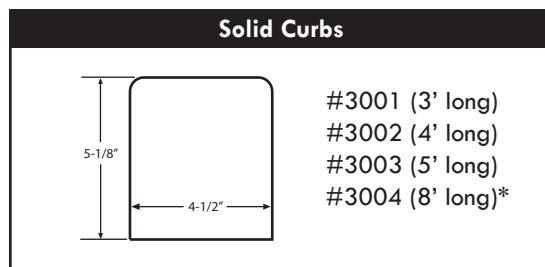
3.0 Installing Noble Solid Curb

NOTE: Noble Solid Curb should be installed prior to installation of shower pan.

- 3.1 Cut Noble Solid Curb to desired length and dry fit.
 - 3.2 Apply latex modified thin-set mortar to floor.
 - 3.3 Apply latex modified thin-set mortar to bottom and both ends of curb.
 - 3.4 Embed Curb into thin-set. **NOTE:** Weight (i.e. boxes of tile) can be applied to embed Curb into thin-set.
 - 3.5 Carefully remove excess thin-set.
 - 3.6 Allow thin-set to cure.
 - 3.7 Caulk with 100% silicone sealant where Curb meets wall/jamb.
 - 3.8 Install shower pan per manufactures instructions, applicable standards and TCNA guidelines.
 - 3.9 Extend waterproofing membrane (i.e. NobleSeal® TS) up and over Curb.
- NOTE:** NobleSeal membranes may be bonded to Curb using latex modified thin-set.

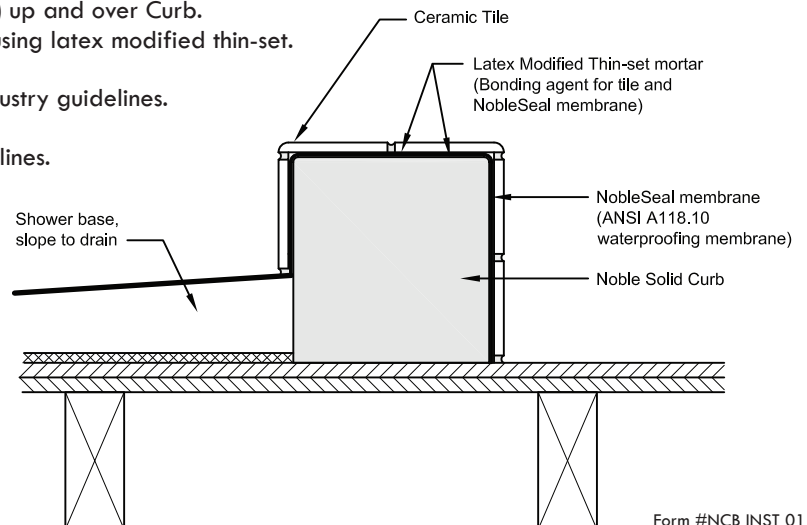
TILE INSTALLATION: Tile using latex modified thin-set per industry guidelines.

NOTES: For any situation not specifically covered, contact our Technical Department before proceeding. Follow TCNA Guidelines.



NOTE: Actual dimensions may vary +/- 1/8".

* Available by special order only.



Form #NCB INST 01/09
Supersedes 03/08

