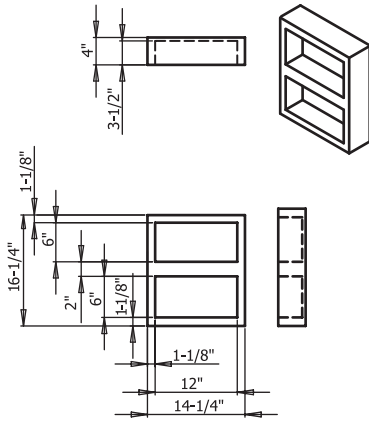
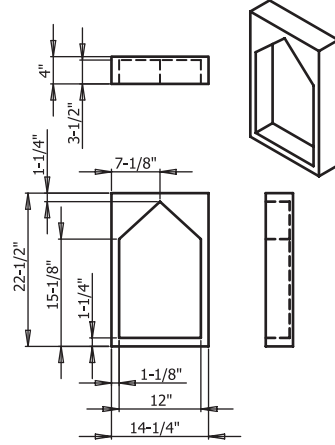


# Noble Niche Installation Instructions

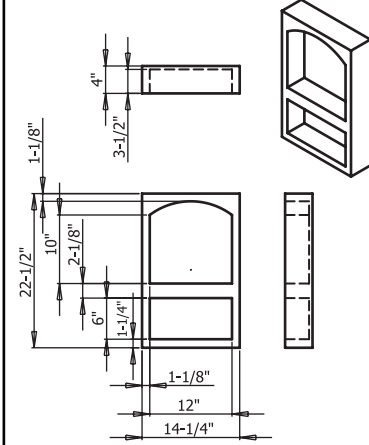
#278 Spice Rack Niche



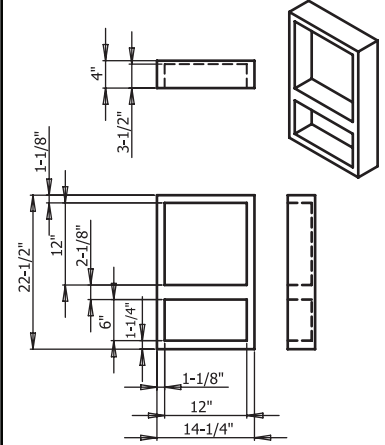
#302 Peaked Niche



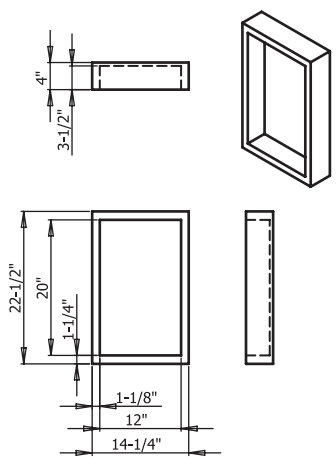
#303 Wide Arch Combo Niche



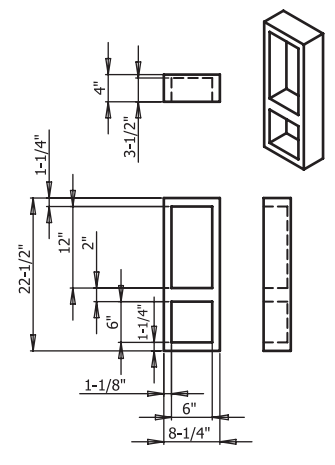
#304 Wide Combo Niche



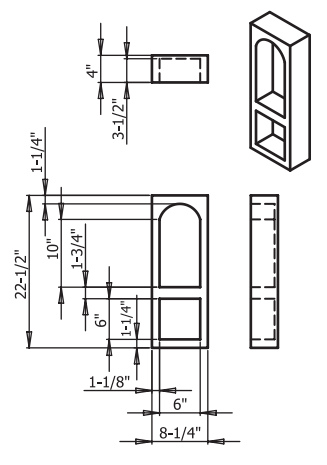
#314 Rectangular Niche



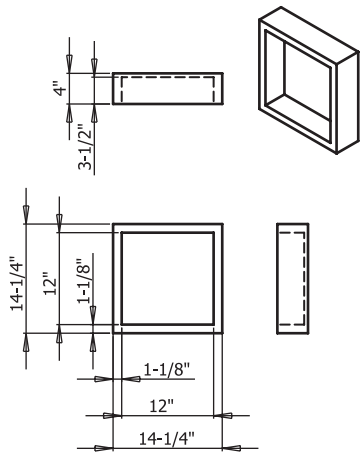
#305 Narrow Combo Niche



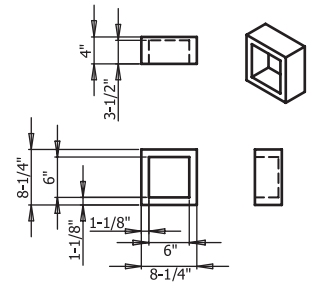
#306 Narrow Arch Combo Niche



#301 Square Niche



#308 Soap Niche



## Noble Niche Installation Instructions

### 1.0 Product & Materials

- 1.1 Noble Niches: are made from high density, extruded polystyrene (XPS) and coated with an acrylic polymer finish. Noble Niches are waterproof and ready-to-til. They are lightweight, durable and are not a food source for fungus and mold.
- 1.2 Other Tools & Materials Needed: Saw (for cutting backer board), backer board tape, and 100% silicone sealant.

### 2.0 Installing into 2" x 4" stud wall

- 2.1 Determine desired height of Niche.
- 2.2 Draw level line between studs at this location.
- 2.3 Place Niche on level line.
- 2.4 Trace outside edge of Niche.
- 2.5 Cut and remove panel.
- 2.6 Use a 100% silicone sealant to adhere Niche to back wall and/or studs.
- 2.7 Seal joints between Niche and backer board using 100% silicone sealant. Silicone should not be smeared over the face of the Niche or backer board.
- 2.8 Tape joints with backer board tape or thin-set NobleSeal® TS to walls overlapping joints.
- 2.9 Install tile using latex modified thin-set.

**NOTES:** For any situation not specifically covered, contact our Technical Department before proceeding. Follow TCNA Guidelines.

**NOTE:** Actual dimensions may vary +/- 1/8".