

Noble Shelf Bench Installation Instructions

1.0 Product & Materials

- 1.1 Noble Shelf Benches: are made from high density XPS with a latex modified finish on the top and front. Noble Shelf Benches are waterproof and tile-ready. They are lightweight, durable and are not a food source for fungus and mold. The 90 degree and inner support frames are constructed of aluminum.
- 1.2 Other Materials: Drill, 5/16" and 7/16" Driver, 5/32" Drill Bit, Tape Measure, Level, 100% Silicone Caulking, and Square.

2.0 Preparatory Work

- 2.1 Ensure that the walls where the Shelf Bench is to be installed are reasonably square.

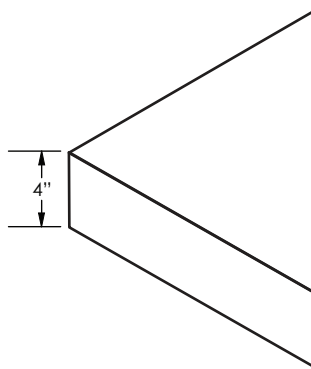
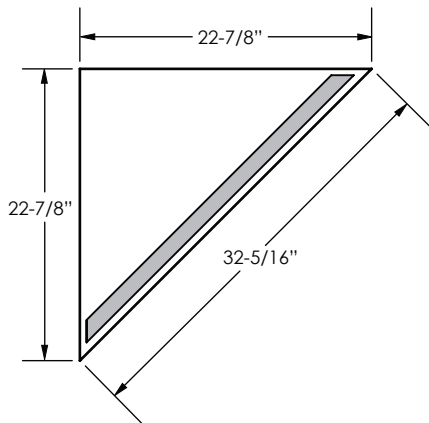
3.0 Installing Shelf Bench

- 3.1 If studs do not line up with every lag bolt hole on the 90 degree frame, 2" x 4" blocking is required. **Important:** LAG BOLTS MUST BE SCREWED INTO SOLID WOOD BLOCKING. Cement board or "dry wall" does NOT qualify as solid blocking. Caution: If every lag bolt is not secured to wall studs or anchored into wood blocking, the bench will not hold under weight.
- 3.2 Install suitable tile backerboard. Shower should be waterproofed in accordance with Tile Council of North America (TCNA) guidelines and all applicable codes prior to the installation of the Shelf Bench.
- 3.3 Set 90 degree frame to desired height. Level the frame and mark the wall where six lag bolts will go.
- 3.4 Pre-drill the six holes with a 5/32" drill.
- 3.5 Place a small amount of silicone in and around each hole drilled in wall.
- 3.6 Mount frame to wall using the six 1/4" lag bolts provided **NOTE:** Do not over tighten. This may cause the bolt head to snap off. It is recommended to finish tightening these by hand.
- 3.7 Position foam insert with textured side facing UP. Line up the slots cut in the foam with the channel in the frame and push firmly in place.
- 3.8 On the bottom of the 90 degree frame, locate the two pre-drilled holes. Insert the provided #10 x 3/4" long self tapping screws and secure into place.
NOTE: Do not over tighten. This may cause the screw head to snap off. It is recommended to finish tightening these by hand.
- 3.9 Put silicone bead along all edges where bench meets the wall.
- 3.10 Install tile or stone according to TCNA guidelines.
- 3.11 According to TCNA guidelines all grout edges should have soft-joints where the tile changes plane.

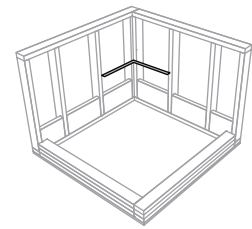
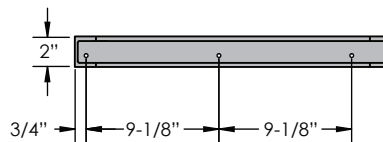
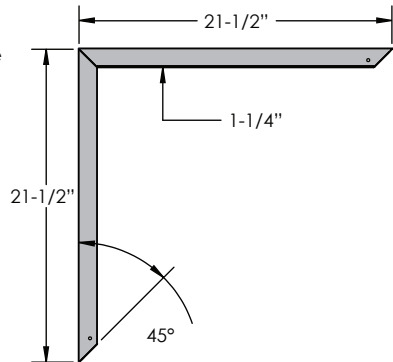
NOTE: For any situation not specifically covered, contact our technical department before proceeding.

Noble Shelf Bench Dimensions

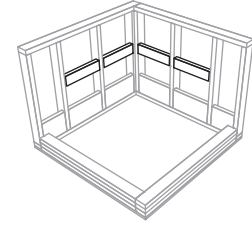
Shelf Bench
Item #: 414
Width: 32-5/16"
Depth: 22-7/8"
Height: 4"



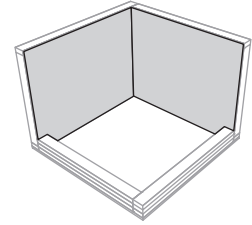
Shelf Bench 90° Frame
Depth: 21-1/2"
Height: 2"



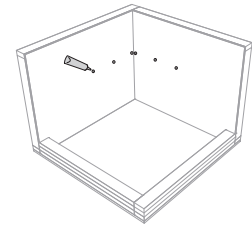
2.1



3.1

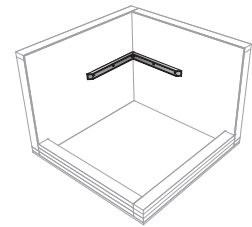


3.2

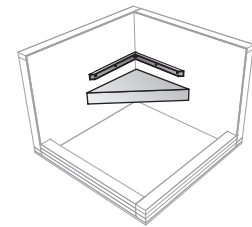


3.4

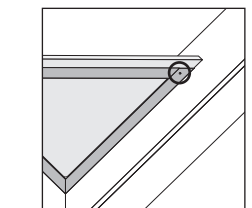
3.5



3.6



3.7



3.8

Bottom View