

Preformed Corners

Dam/Outside Corner

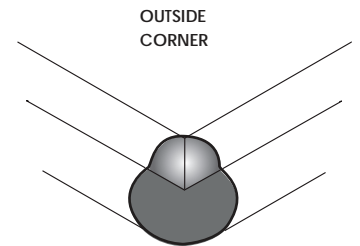
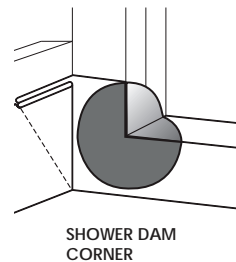
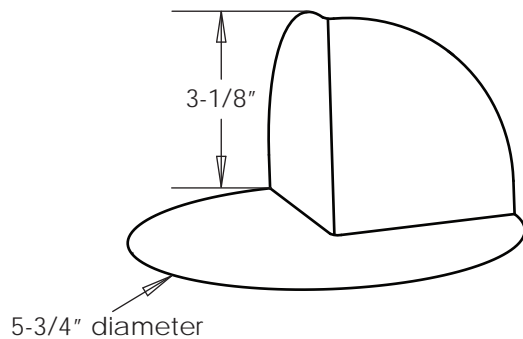


Protects against leaks at shower dams and/or for outside (270 degree) corners.

- **Made from Chlorinated Polyethylene (CPE)**
 - Will not rot, crack or deteriorate due to microorganisms
- **Also available in Polyvinyl Chloride (PVC)**



CAD Details:*



* CAD details are not shown to scale.

Installation Instructions:*

1. Preformed corners can be installed over or under the membrane. However, if preformed corners are used in a thin-bed installation, the corner must be installed under (or behind) the NobleSeal® or Noble Deck™ sheet membrane.
2. Use NobleSealant 150 to adhere the corner and to seal it to the membrane.

* CAUTION: Read complete installation instructions for the sheet membrane prior to installing.

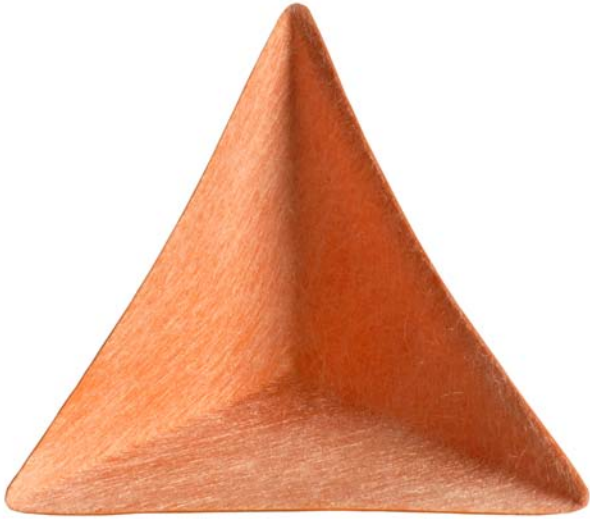


Simple Solutions... Proven Performance

Preformed Corners

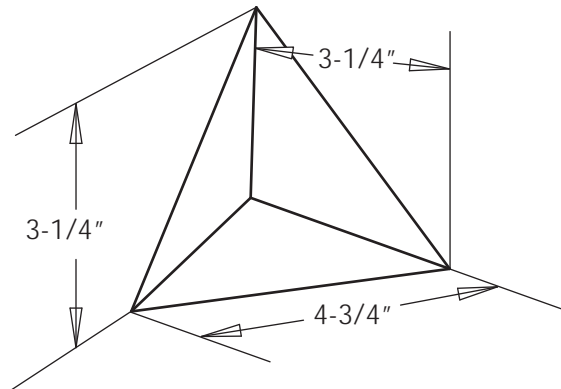
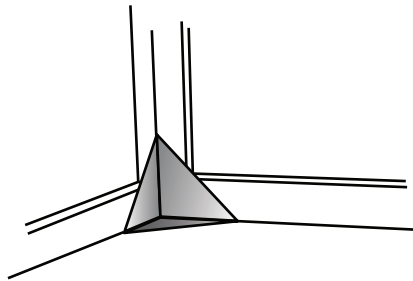
Inside Corner

Protect against leaks at inside corners. Ideal for use with lap corners in waterproofing applications.



- **Made from Chlorinated Polyethylene (CPE) with non-woven fabric on one side**
 - Will not rot, crack or deteriorate due to microorganisms

CAD Details:*



* CAD details are not shown to scale.

Installation Instructions:*

1. Inside corners can be installed before or after the sheet membrane is installed. Generally, installing the corner after the membrane is in place is preferred.
2. Seal corner to the membrane using NobleSealant 150.

* CAUTION: Read complete installation instructions for the sheet membrane prior to installing.



MADE IN THE U.S.A.



Simple Solutions... Proven Performance